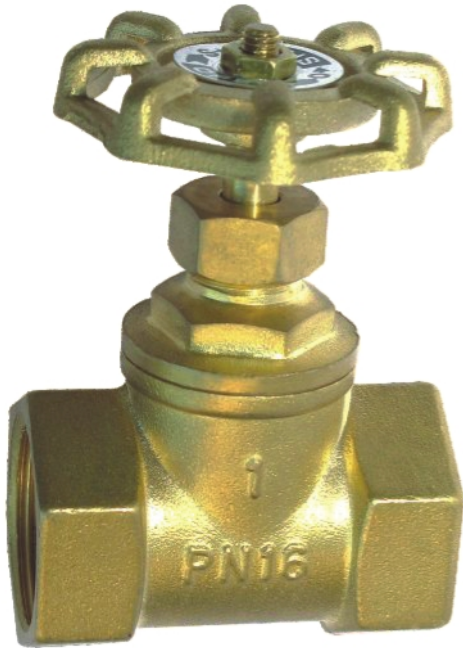


DRAIN VALVE

(With & Without Sampler)

For Oil Filled Transformer



171 (1" NPT)



173 (1" NPT)
(With Sampler)

FEATURES

- Brass (ASTM B584 C84400) Brass Body.
- All Brass and Aluminium parts.
- Teflon Sealing.
- Viton O-Ring.
- 100% individually tested on pneumatic test jig.

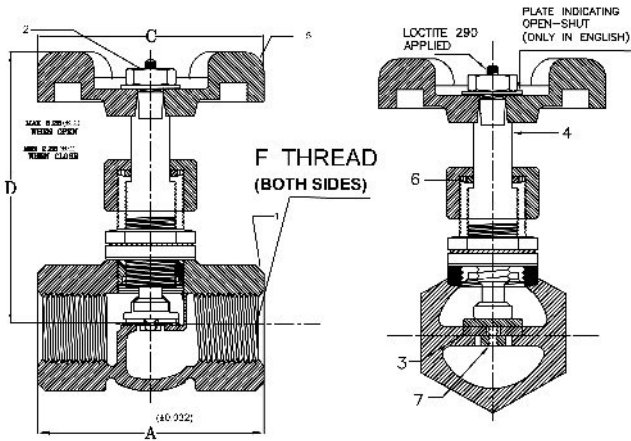
VIAT

INSTRUMENTS

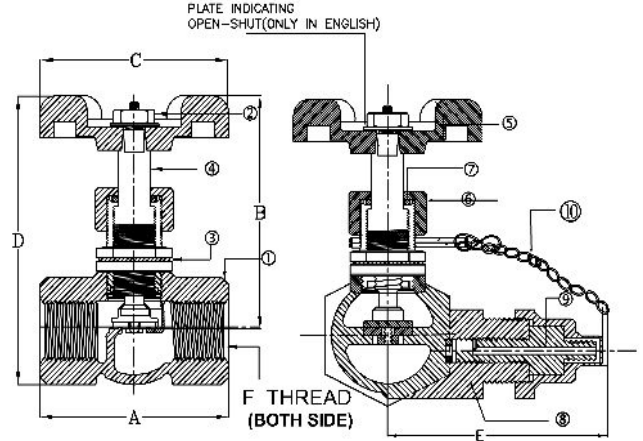
CA171-3R1



171 (1" NPT)



173 (1" NPT) (With Sampler)



TYPE	A	B	C	D	E	F
171	2.64	3.25(0) /2.86(C)	2.3	X	X	(1" NPT)
173	2.66	2.93(0) /2.82(C)	2.42	3.57	2.50	(1" NPT) WITH SAMPLER

PART LIST

PART NO.	DESCRIPTION	MATERIAL
1	VALVE BODY	BRASS ASTM B584 & C-84400
2	HANDLE NUT	BRASS HEX NUT W/LOCTITE 290 APPLIED
3	DISC	TEFLON
4	STEM	BRASS
5	HANDLE	BRASS
6	STUFF NUT	BRASS NUT W/LOCTITE & TEFLON WASHER
7	DISC NUT	BRASS NUT W/LOCTITE
8	DRAIN FITTING	BRASS W/VITON 'O' RING
9	3/4" SAMPLER	BRASS
10	CHAIN	BRASS LINK CHAIN

Due to our policy of continuous product improvement, dimensions and designs are subject to change.

VIAT
INSTRUMENTS

VIAT INSTRUMENTS PVT. LTD.

2701 to 2704, Shilpangan Phase-II, Block LB-1
Sector-III, Salt Lake, Kolkata - 700 098, INDIA
Phones : (91-33) 9903805104, 23352925 ● Fax : (91-33) 23352926
E-mail : viatin@viatin.com ● Website : www.viatin.com

VIAT AMERICA, INC.

30 Shepard, Irvine, CA 92620
Tel: 949-679-0950 Fax: 949-417-1358
E-mail : sales@viatamerica.com
Website : www.viatamerica.com