

PRESSURE RELIEF VALVE

For Oil Filled Transformer

Model 310 & 311 Series



MODEL 310



MODEL 311

FEATURES

- All brass, stainless steel components for use in extreme outdoor conditions.
- Viton O-Ring for long trouble free service.
- Operating pressure range available 5.8 psi & 10 psi.
- Flow rate upto 350 scfm @ 15 psig.
- 100% Valve tested for operating pressure and resealing.

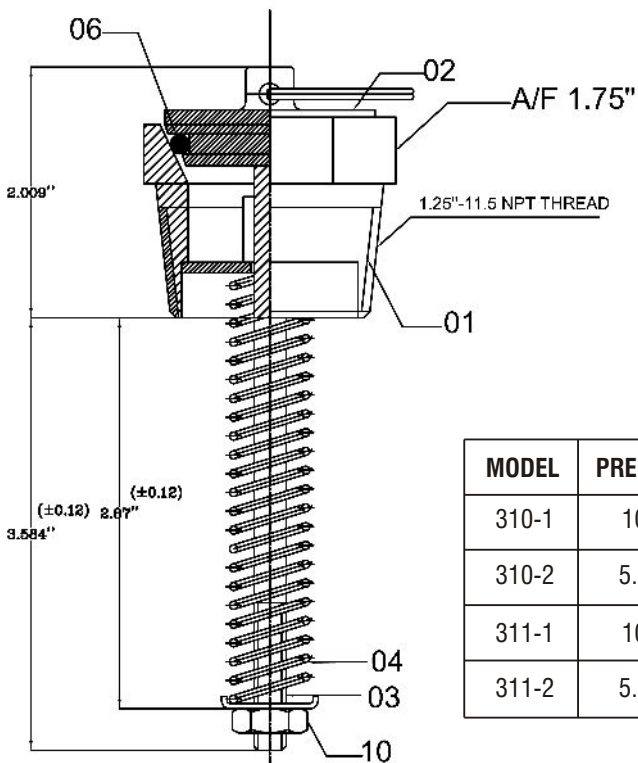
VIAT

INSTRUMENTS

CA310-1R1

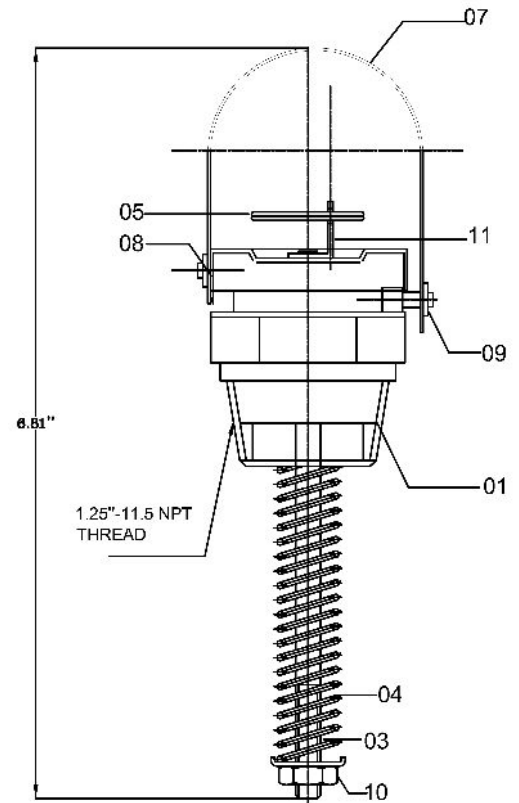


MODEL 310



MODEL	PRESSURE	INDICATOR
310-1	10 psi	NO
310-2	5.8 psi	NO
311-1	10 psi	YES
311-2	5.8 psi	YES

MODEL 311



CONSTRUCTION

The Pressure Relief Valve consists of a Extruded Base Body (1) suitable for thread mounting on transformer tank. The valve disc (2) is spring loaded (4) using tie rod (3) and lock nut (10) and seals against the body with 'O' Ring (6).

WORKING

When pressure in the tank rises beyond the preset limit, the shutter moves up with the 'O' Ring, thus releasing the excess pressure. When the pressure falls to allowable values, the spring forces the shutter to reseal to its position.

PART LIST

PART NO.	DESCRIPTION	MATERIAL
01	BODY	BRASS
02	SHUTTER	BRASS
03	SHAFT	STAINLESS STEEL 304
04	SPRING	STAINLESS STEEL 302
05	PULL RING	STAINLESS STEEL 302
06	'O' RING	VITON
07	YELLOW FLAG	SPRING STEEL
08	SHIELD CAP	STAINLESS STEEL 304
09	FLAG TRIGGER	STAINLESS STEEL 304
10	NUT M6	STAINLESS STEEL 304
11	BRACKET	STAINLESS STEEL 304

Due to our policy of continuous product improvement, dimensions and designs are subject to change.

VIAT
INSTRUMENTS

VIAT INSTRUMENTS PVT. LTD.

2701 to 2704, Shilpangan Phase-II, Block LB-1
Sector-III, Salt Lake, Kolkata - 700 098, INDIA
Phones : (91-33) 9903805104, 23352925 ● Fax : (91-33) 23352926
E-mail : viatin@viatin.com ● Website : www.viatin.com

VIAT AMERICA, INC.

30 Shepard, Irvine, CA 92620
Tel: 949-679-0950 Fax: 949-417-1358
E-mail : sales@viatamerica.com
Website : www.viatamerica.com