

LIQUID LEVEL GAUGE

Model 806 Series



FEATURES

- Single piece brass body construction.
- Dial 'O' Ring seal provides leak proof assembly.
- Crystal clear, tempered glass lens.
- Highly visible red solid float.
- Stainless steel retainer for float.
- Each gauge pressure tested after assembly.
- Ideally suited for transformer tank application.

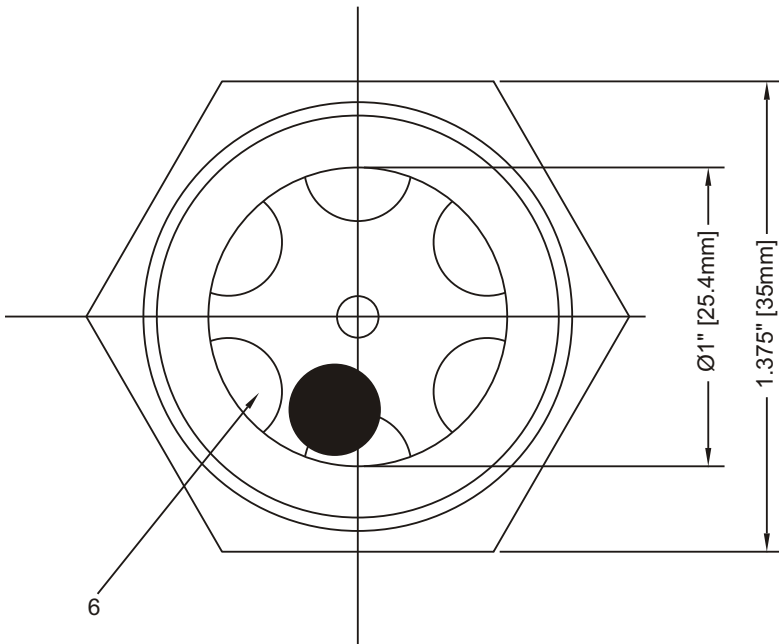
VIAT

INSTRUMENTS

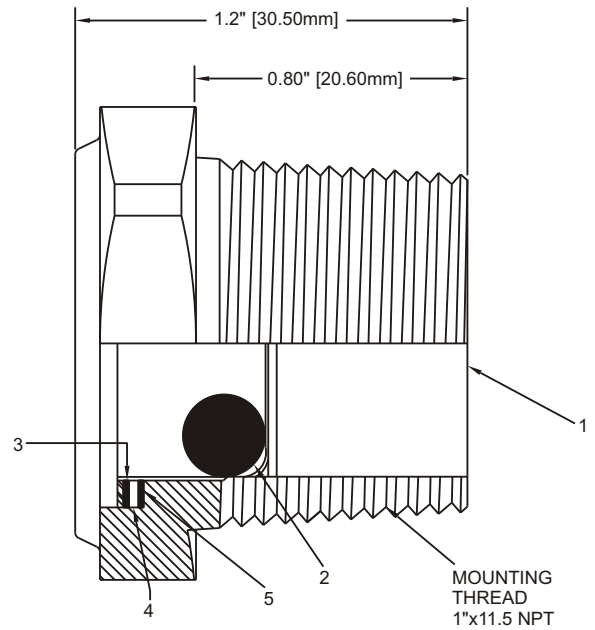
CA806R0



FRONT VIEW



SIDE VIEW



DESCRIPTION

The VIAT 806 series oil level indicator consists of a machined brass body with 1"-11-1/2" NPT thread. The highly visible float is held in the oil compartment between the stainless steel retainer and tempered glass. The float provides the indication of oil level in the tank.

OPERATION & APPLICATION

Most oil used in electrical equipments is colourless and the level is difficult to see without aid. The 806 series level gauge provides a red float which indicates the level of oil in the tank. The highly reflective stainless steel retainer provides enhanced visibility of the highly contrasting float.

For higher span of levels in a tank, multiple units at different levels may be used. The gauges are recommended for use with fluids having a specific gravity of 0.80 or higher.

PART LIST

PART NO	QTY	DESCRIPTION	MATERIAL
01	1	BODY	BRASS EXTRUDED
02	1	FLOAT	EXPANDED POLYURATHENE
03 & 05	1	RUBBER RING	NITRILE BUTADIENE RUBBER
04	1	LENS	TOUGHENED GLASS
06	1	RETAINER	STAINLESS STEEL

Due to our policy of continuous product improvement, dimensions and designs are subject to change.



VIAT INSTRUMENTS PVT. LTD.

2701 to 2704, Shilpangan Phase-II, Block LB-1
Sector-III, Salt Lake, Kolkata - 700 098, INDIA
Phones : (91-33) 9903805104, 23352925 ● Fax : (91-33) 23352926
E-mail : viatin@viatin.com ● Website : www.viatin.com

VIAT AMERICA, INC.

30 Shepard, Irvine, CA 92620
Tel: 949-679-0950 Fax: 949-417-1358
E-mail : sales@viatamerica.com
Website : www.viatamerica.com