

KRYTOX LUBRICATED PRESSURE RELIEF VALVE

Suitable for FR3 Grade Transformer Oil Application
Model 302 Series



**MODEL 302-060-01N
(Non-Indicating)**



**MODEL 302-070-01I
(Indicating)**

FEATURES

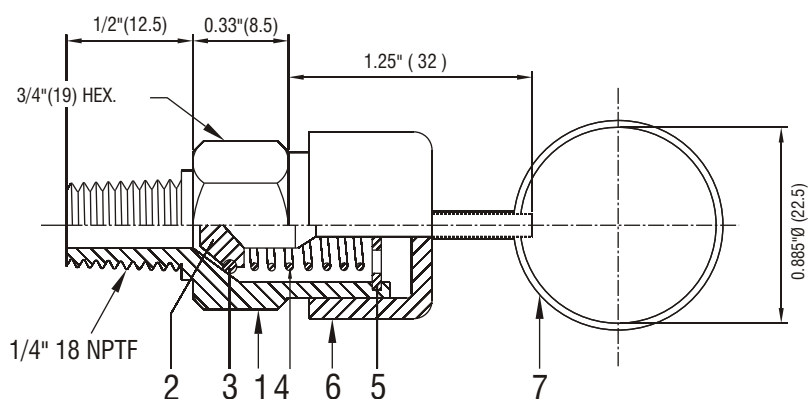
- All moving parts lubricated with Krytox[®] grease (Grade GPL-205 of Dupont).
- Factory preset pressure for automatic venting and resealing.
- All Brass, SS304, PU construction for use in extreme outdoor conditions.
- Viton 'O' Ring for long trouble free service.
- SS pull ring for manual bleeding on all models.
- Device meets or exceeds REA and ANSI standards for distribution transformers.

VIAT

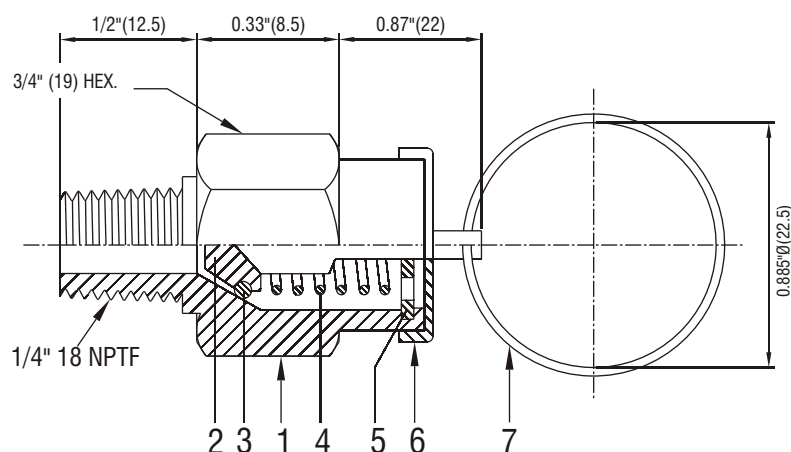
INSTRUMENTS

CA302-6-7R0





302-070-011 (Indicating Red Band)



302-060-01N (Non-Indicating)

MODEL NUMBER	CRACKING PRESSURE psig	RESEALING PRESSURE psig	INDICATOR
302-060-01N	10±2	8±2	Green Brass Cap
302-070-011	10±2	8±2	Red Band With Green Cap

Discharge Rate At 15 psig - 50 scfm

PART LIST

PART NO.	DESCRIPTION	MATERIAL
1	BODY	BRASS
2	POPPET	BRASS
3	O-RING SEAL	VITON
4	SPRING	SS
5	GUIDE	SS
6	INDICATOR CAP	PU/BRASS (GREEN)
7	PULL RING	SS

NOTE :

1. Krytox GPL 205 would be applied on the Viton 'O' Ring Seal, SS Guide, SS Spring, Brass Poppet.
2. Thread to be teflon taped.

Due to our policy of continuous product improvement, dimensions and designs are subject to change.



VIAT INSTRUMENTS PVT. LTD.

2701 to 2704, Shilpangan Phase-II, Block LB-1
Sector-III, Salt Lake, Kolkata - 700 098, INDIA
Phones : (91-33) 9903805104, 23352925 ● Fax : (91-33) 23352926
E-mail : viatin@viatin.com ● Website : www.viatin.com

VIAT AMERICA, INC.

30 Shepard, Irvine, CA 92620
Tel: 949-679-0950 Fax: 949-417-1358
E-mail : sales@viatamerica.com
Website : www.viatamerica.com