

LIQUID LEVEL GAUGES

With / Without Contact

Size - 3.5" & 6" Model 405 & 406 Series



Size 3^{1/2}"



Size 6"



Size 150mm

FEATURES

- C clamp arrangement for holding float rod.
- *Nitrophyll® floats and Honeywell make precision micro switches.
- Heavy-duty Alnico magnet coupling for precision pointer movement.
- Precision switch setting for accurate operation of switch versus level in tank.
- Installation dimensions to customer requirement optional.
- Plug-in or terminal type switch.

* (Nitrophyll is a registered trade mark of Rogers Corporation, USA)

VIAT

INSTRUMENTS

CA405-6R1



CONSTRUCTION

The level gauge consists of metal flange (1) with brass support tube (2) crimped to it. This brass tube carries the driver magnet (3) mechanism on one side and float rod (4) on the other. The level in the tank is detected by the Nitrophenyl float (5). The float drives the driver magnet, which in turn rotates the follower magnet (6) with pointer (7) due to strong magnetic coupling. The pointer indicates the level on a preprinted dial.

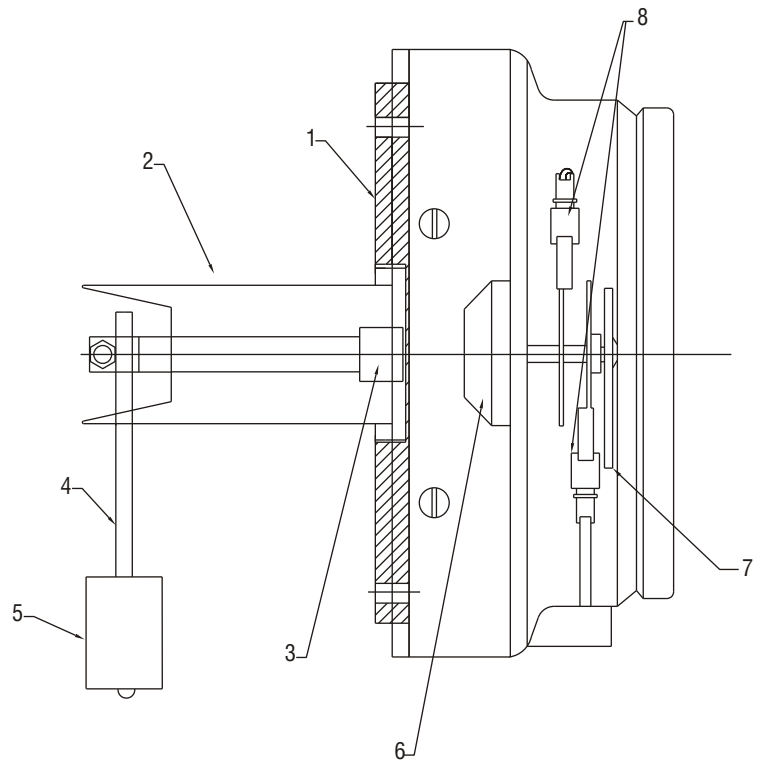
There is a provision to provide optional switches (8) for electrical signal at various liquid levels.

APPLICATION & INSTALLATION

VIAT level gauges are designed to provide liquid level specifically in transformer tanks and conservator. Apart from indicating levels it can also be used for giving alarm signals at low level and high level.

The modular construction of VIAT level gauges provides ease of installation and Maintenance. The metal flange can either be bolted or welded to the walls of the tank. The dial switch assembly can be fixed to the flange at the customer's convenience at any time.

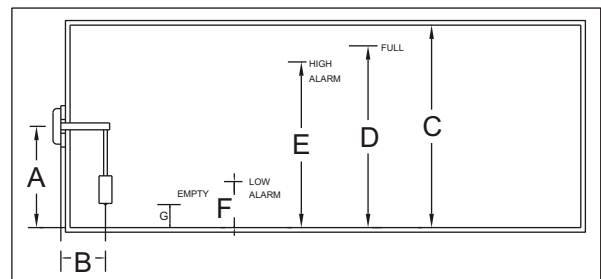
Standard connectors or terminal box type connection can be provided for the switches.



To order or for quotation, please specify :

1. Size 3.5" or 6".
2. Flange material.
3. Bolted or welded flange.
4. Dial Marking and volume versus level data.
5. Number of switches.
6. Length of connector cable.
7. Levels for actuation.
8. Standard or ANSI connector Arrangement.

CALL FOR DATA SHEET FOR OIL LEVEL GAUGE



Due to our policy of continuous product improvement, dimensions and designs are subject to change.



VIAT INSTRUMENTS PVT. LTD.

2701 to 2704, Shilpangan Phase-II, Block LB-1
Sector-III, Salt Lake, Kolkata - 700 098, INDIA
Phones : (91-33) 9903805104, 23352925 ● Fax : (91-33) 23352926
E-mail : viatin@viatin.com ● Website : www.viatin.com

VIAT AMERICA, INC.

30 Shepard, Irvine, CA 92620
Tel: 949-679-0950 Fax: 949-417-1358
E-mail : sunil.gupta@viatamerica.com
Website : www.viatamerica.com